

CERAFAK 100

Wax dispersion on the basis of an EVA copolymer wax for solvent-borne effect coating systems. Improves the orientation of effect pigments and reduces settling in the container.

Product Data

Composition

Ethylene vinyl acetate copolymer wax dispersion (EVA)

Typical Properties

The values indicated in this data sheet describe typical properties and do not constitute specification limits.

Non-volatile matter:	10 %
Carrier:	Xylene/butyl acetate 1/1
Melting point (wax content):	221 °F
Particle size (Hegman):	25 µm
Viscosity (73 °F):	13 mPa·s

Food Contact Legal Status

For the current food contact legal status, please contact our product safety department or visit www.byk.com for further information.

Storage and Transportation

Temperature sensitive. Do not store or transport above 35 °C (95 °F). Stir before use.

Special Note

Test method: seeding

The wax additive is homogenized with a dissolver for 5 min at 4 m/s, then diluted with 20 % n-butyl acetate and stirred for a further 2 min at about 4 m/s. A draw down is then made on a glass panel with a 100 µm doctor blade. The resulting film must be clear and free of seeds during drying.

Test method: particle size measurement with a grind-gauge according to ISO 1524

The wax additive is homogenized with a dissolver for 5 min at 4 m/s. A draw down is then made on a 50 µm grind-gauge. Result: 25 µm particle size.

Applications

Coatings Industry

Special Features and Benefits

The additive improves the orientation of effect pigments (e.g. aluminum, mica) and enhances the flip-flop effect. Short wave defects (mottling, Bénard cells) are minimized and leveling of the subsequent clear coat layer is improved. Settling in the container is also reduced.

Recommended Use

CERAFAK 100 is recommended for solvent-borne base coats and one-coat metallic top coats in industrial coatings.

CERAFAK 100

Data Sheet
Issue 12/2012

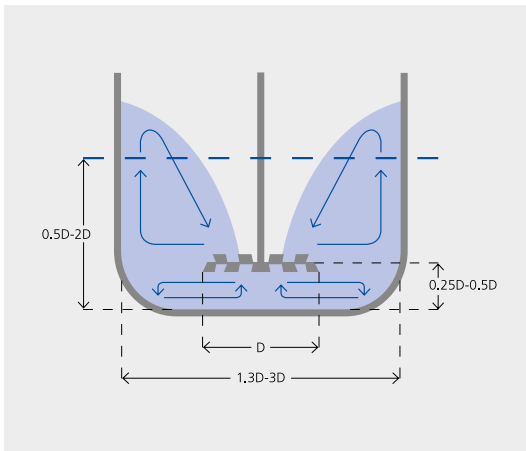
Recommended Levels

30 % additive (as supplied) based upon the solid binder.

The above recommended levels can be used for orientation. Optimal levels are determined through a series of laboratory tests.

Incorporation and Processing Instructions

The wax additive must be homogenized before use with a dissolver (4 m/s) and then added to the binder solution under agitation. In systems with CAB, the CAB solution must first be incorporated homogeneously in the binder solution at high shear forces (> 5 m/s) before the stirred wax additive, the effect pigment slurry and the solvent can be added under agitation.



BYK USA Inc.
524 South Cherry Street
P.O. Box 5670
Wallingford, CT 06492
USA
Tel 203 265-2086
Fax 203 284-9158

cs.usa@byk.com
www.byk.com/additives

ANTI-TERRA®, BYK®, BYK®-DYNWET®, BYK®-SILCLEAN®, BYKANOL®, BYKETOL®, BYKJET®, BYKOPLAST®, BYKUMEN®, CARBOBYK®, DISPERBYK®, DISPERPLAST®, LACTIMON®, NANOBYK®, PAPERBYK®, SILBYK®, VISCOBYK®, and Greenability® are registered trademarks of BYK-Chemie. AQUACER®, AQUAMAT®, AQUATIX®, CERACOL®, CERAFAK®, CERAFLOUR®, CERAMAT®, CERATIX®, HORDAMER®, and MINERPOL® are registered trademarks of BYK-Cera.

SCONA® is a registered trademark of BYK Kometra.

The information and data stated herein, although in no way guaranteed, are based upon tests and reports considered to be reliable and are believed to be accurate. No warranty, either expressed or implied, is made or intended. Use by a customer should be based upon their own investigations and appraisals. Any recommendation should not be construed as an invitation to use a material in infringement of patents.

This issue replaces all previous versions – Printed in the USA